

# INNOVA Mini N

## Shut-off Single Seat Valve



### APPLICATIONS

The INNOVA Mini N valve is a shut-off single seat valve suitable for any use that the pharmaceutical, chemical, food or beverage industries could be required.

### DESIGN AND FEATURES

Hygienic design according to EHEDG.

Gasket with specific profile guarantees reliability under adverse working conditions.

Hygienic design of the gasket ensures optimal cleaning.

Single-acting pneumatic actuator.

Normally closed valve (NC) in its standard version.

The valve can be changed to normally open (NO) by simply reversing the position of the pneumatic actuator.

Easy disassembly of internal parts by loosening a clamp fastener.

Open lantern allows visual inspection of shaft sealing.

### TECHNICAL SPECIFICATIONS

#### Materials

Parts in contact with the product	1.4404 (AISI 316L)
Other steel parts	1.4301 (AISI 304)
Seals in contact with the product	EPDM

#### Surface finish

Internal	Brigh polish $Ra \leq 0,8 \mu m$
External	Matt

#### Sizes available

DIN EN 10357 serie A (formerly DIN 11850 series 2)	DN 10 - DN 15 - DN 20
ASTM A269/270 (correspond to OD pipe)	OD $\frac{1}{2}$ " - OD $\frac{3}{4}$ "

#### Connections

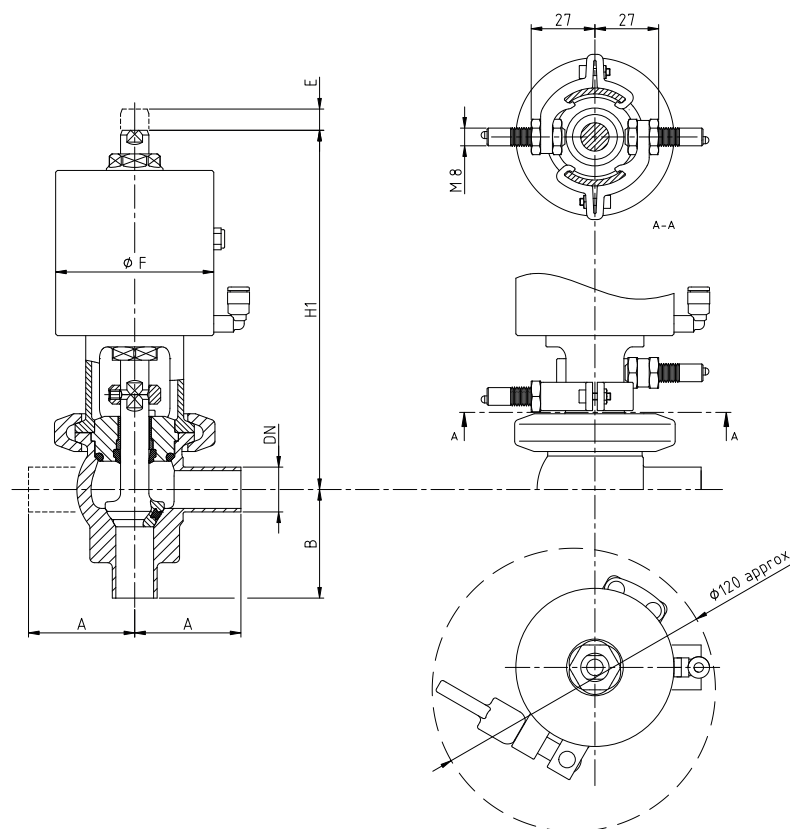
Weld

**Operating limits**

Working temperature	-10°C to 121°C
SIP temperature	140°C (maximum 30 minutes)
Maximum working pressure	1000 kPa (10 bar)
Minimum working pressure	Vacuum
Compressed air pressure	6 - 8 bar

**OPTIONS**

Double-acting pneumatic actuator.  
 Seals: FPM and HNBR.  
 Other connections: male and clamp.  
 External position sensors.  
 Surface finish  $Ra \leq 0,5 \mu m$ .

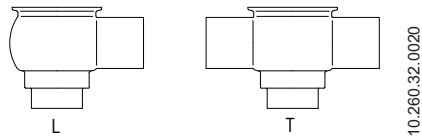
**DIMENSIONS**

10.260.32.0019

	DN	Pipe	A	B	$\phi F$	E	H1	kg <sup>1</sup>
DIN	10	13,0 x 1,50	45	43	67	9	155	2,0
	15	19,0 x 1,50	45	46	67	9	152	2,0
	20	23,0 x 1,50	45	48	67	9	150	2,0
OD	½"	12,7 x 1,65	45	43	67	9	155	2,0
	¾"	19,05 x 1,65	45	46	67	9	152	2,0

1) The weights correspond to the L housing combination

## HOUSING COMBINATIONS



## MAXIMUM PRESSURES

Maximum pressure in bar / PSI without leakage at the valve seat

Actuator / valve body combination and direction of pressure	Air pressure	Plug position	DN 10	DN 15	DN 20
	[bar] / [PSI]		OD ½"	OD ¾"	
	6 / 87	NC	10 / 145	10 / 145	10 / 145
	6 / 87	NO	10 / 145	10 / 145	10 / 145
	6 / 87	A/A	10 / 145	10 / 145	10 / 145

Maximum pressure in bar / PSI against which the valve can open

Actuator / valve body combination and direction of pressure	Air pressure	Plug position	DN 10	DN 15	DN 20
	[bar] / [PSI]		OD ½"	OD ¾"	
	6 / 87	NC	10 / 145	10 / 145	10 / 145
	6 / 87	NO	10 / 145	10 / 145	10 / 145

A ≡ air

P ≡ product pressure

NC ≡ normally closed valve

NO ≡ normally open valve

A/A ≡ double acting valve

Valid values for standard actuators

For other pressures, bigger actuators can be assembled